



TEAMPEGASO

MOBILE WORKSHOP

based on
Volkswagen Crafter

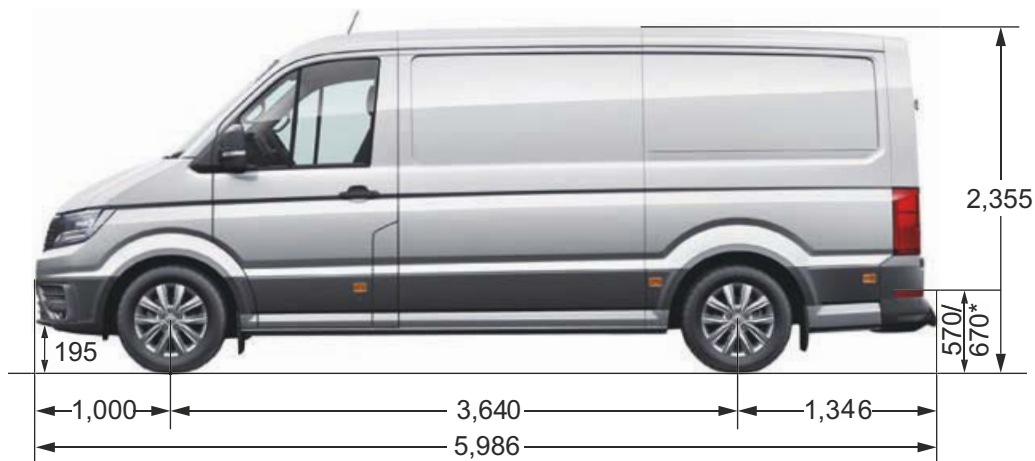
JET WASH TRUCK



FEATURES

- 16 kW Electrical Generator
- 100 lt 3kW compressor
- 300 lt boiler 65°C
- 45 lt boiler 95°C
- Liquid aspirator 550 lt
- Liquid recovery sheet 10 m x 4 m (40sqm)
- Water pump at 23 lt/min
- Water tank at ambient temperature - 350 lt
- Control panel
- Water and Air tubing roll up
- Low pressure Nitrogen roll up
- Electric wire roll up
- Internal lighting system
- External environment lighting
- Stair storage area
- roof rack
- Airport lighting for traffic integration

3



TOTAL VOLUME	WORKSHOP/OFFICE AREA	TECHNICAL AREA
4,606x1,832x2,189 mm	1,800x1,832x2,189 mm	2,806x1,832x2,189 mm

FEATURES

- Desk
- Counter equipped with complete tool drawers, vice, containers and shelves
- Lighting
- No need of external support



TEAMPEGASO

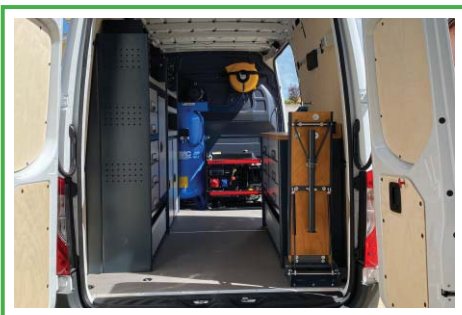
Head Quarter | Loc. Quarto Inferiore 275 | 14100 ASTI | AT | ITALY
 Registered Office | Loc. Croix Noire 73 | 11020 Saint Christophe | AO | ITALY
 info@teampegaso.it | teampegaso@pec.teampegaso.it | www.teampegaso.it



TEAMPEGASO

MOBILE WORKSHOP

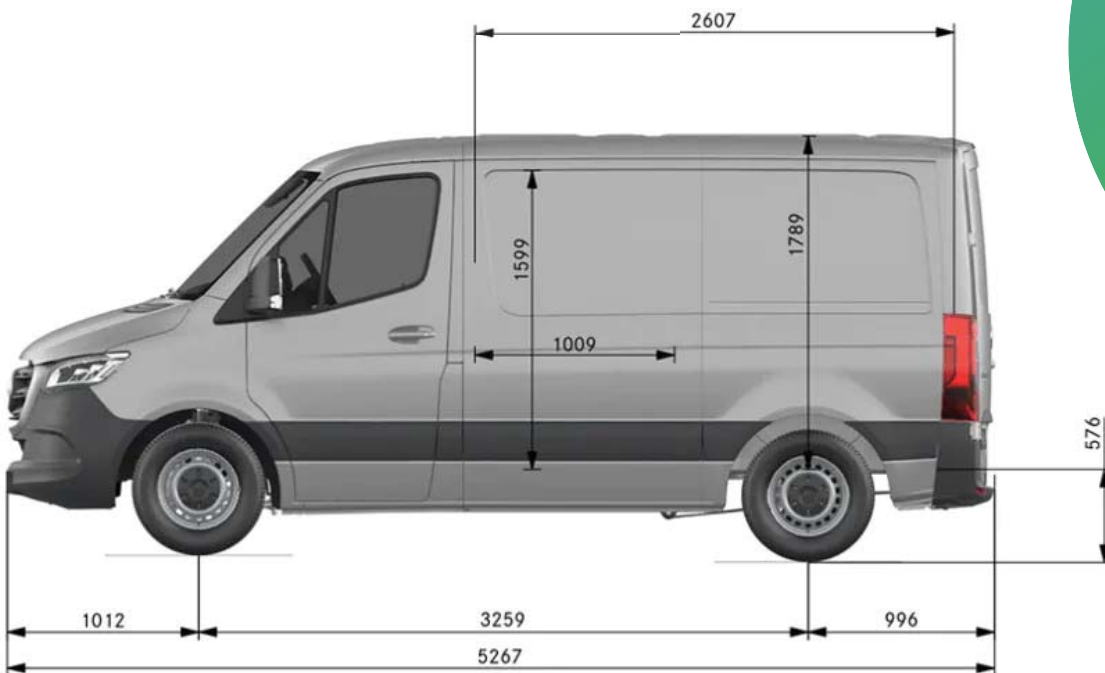
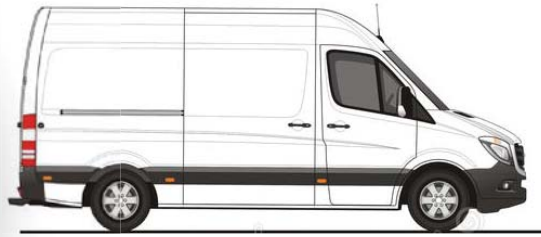
based on
Mercedes Sprinter



FEATURES

- Phenolic floor
- PVC or Wood panels
- Electric generator
- Compressor
- Air piping roll up
- Internal led lighting
- 220V electric system
- Shelves
- Work vice with removable support
- Working desk
- External logos and lighting

5



GROSS WEIGHT	MAX ROOF LOADING CAPACITY	MAX TOWABLE LOAD (BR/N.BR)	OVERALL DIMENSIONS	INTERNAL DIMENSIONS
5,500 Kg	150 Kg	2,000/750 Kg	2.642x5.267x2.175 mm	2.607 x2.732 mm

FLOOR HEIGHT	INTERNAL WIDTH	MAX LOADING DIMENSION (INTERNAL USEFULL DIMENSION DUE TO WHEEL)
572 mm	1.787 mm	1.412 mm

LOADING SURFACE	LOADING VOLUME	TURNING ARCH	TURNING DIAMETER
4.357 m ²	8.8 m ³	13 m	12.2 m



TEAMPEGASO

Head Quarter | Loc. Quarto Inferiore 275 | 14100 ASTI | AT | ITALY
 Registered Office | Loc. Croix Noire 73 | 11020 Saint Christophe | AO | ITALY
 info@teampegaso.it | teampegaso@pec.teampegaso.it | www.teampegaso.it





TEAMPEGASO



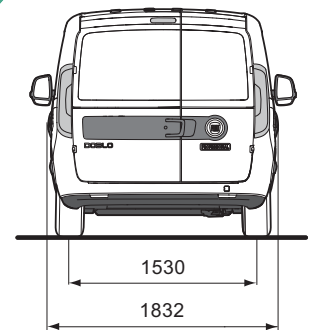
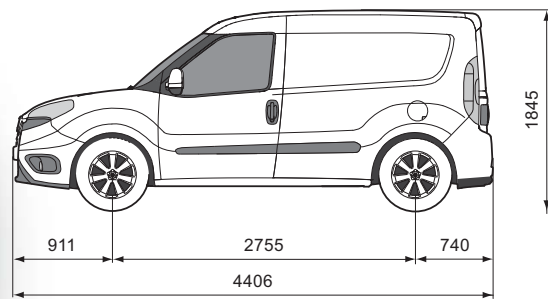
MOBILE WORKSHOP

based on
Doblò Cargo

FEATURES

- 220v electric generator
- 1 kW Inverter
- External electrical plug
- Additional battery
- 220v internal plugs
- Internal led lighting
- Office area useful for:
 - a) pc
 - b) printer
 - c) router
- Nitrogen cylinder storage area
- Nitrogen low pressure gas system:
 - a) pressure regulator
 - b) piping roll on
 - c) rapid plugs
- Working area
 - a) Drawers
 - b) Dirty fluids storage area
 - c) Pockets for cylinder
 - d) Recovery tanks for waste liquids
- External lighting
- Roof rack
- Automatic stair carrier
- Tow hook
- Rear Air conditioned area
- External logos and lighting





WHEELBASE	EXTERNAL LENGHT	EXTERNAL WIDTH	EXTERNAL HEIGHT
Da 2,755 a 3,105 mm	Da 4,406 a 49,81 mm	Da 1,832 a 1,872 mm	Da 1,845 a 2,125 mm

LOADING VOLUME

LENGHT	WIDTH
Da 1,820 a 2,300 mm	Da 1,714 a 1,818 mm
HEIGHT	LOADING HEIGHT
Da 368 a 1,550 mm	Da 545 a 910 mm

LOAD COMPARTMENT CAPACITY

VOLUME	TOTAL CAPACITY
3,4 - 5,4 m ³	Da 705 a 1,035 m ³



TEAMPEGASO

Head Quarter | Loc. Quarto Inferiore 275 | 14100 ASTI | AT | ITALY
 Registered Office | Loc. Croix Noire 73 | 11020 Saint Christophe | AO | ITALY
 info@teampegaso.it | teampegaso@pec.teampegaso.it | www.teampegaso.it